



Features

- Integrated flash controller
- User management
- Password protection
- Backup & Restore function
- Coordinate transformation
- Flexible result conjunction



general data

resolution	1600 × 1200 px
sensor type	1/1.8" CCD, monochrome
illumination	direct connection (integrated flash controller)
external illumination	as accessory
high-resolution mode	max. 7 inspections per second
high-speed mode (Binning 2 × 2)	max. 15 inspections per second
lens	C-mount
number of jobs (products)	≤ 255
features per job	32
defect image memory	4
signal processing	Baumer FEX® 4.0

electrical data

voltage supply range +Vs	18 ... 30 V DC
power consumption	typical 5 W ($I_{max} = 1.5$ A at 24 V)
inputs	8 ... 30 V
outputs	PNP 100 mA
digital outputs	trigger job selection external teach-in encoders (CH-A, CH-B) 500 kHz
digital inputs	Pass / Fail 1-5 Flash Sync Alarm Camera Ready Output Enable
initial setup	Ethernet (10BASE-T / 100BASE-TX)
process interface	TCP UDP (Ethernet)
visualization	web interface

integrated flash controller

voltage	12 V DC or 24 V DC (permanent) 24 V DC or 48 V DC (pulsed)
current	$I_{max} = 800$ mA at 24 V DC (permanent) (± 10 %, at least ± 100 mA, at 25 °C) $I_{max} = 4$ A at 48 V DC (pulsed) (+10/-20 %, at least ± 100 mA, at 25 °C)
flash time	max. 1 ms (Duty Cycle max. 1:10)

mechanical data

width	53 mm (without lens/tube)
height	99,5 mm (without lens/tube)
depth	49,8 mm (without lens/tube)
material	housing: aluminum cover glass tube: PMMA
weight	≤ 300 g (without lens/tube)

environmental conditions

operating temperature	+5 ... 50 °C
humidity	0 ... 90 % (non-condensing)
protection class	IP 67 (with tube)
vibration load	IEC 60068-2-6 IEC 60068-2-64
mechanical shock resistance	EN 60068-2-27

code types

barcode	2/5 Industrial 2/5 Interleaved Codabar Code 39 Code 93 Code 128 PharmaCode EAN 8 EAN 13 UPC-A UPC-E GS1 DataBar GS1 128
matrix code	DataMatrix (ECC 200) GS1-DataMatrix QR-Code PDF417
font	many font styles (recommended: sans serif, proportional) Dot Matrix characters: A-Z a-z 0-9 + - . : / ()

feature checks

part location	part location on contours part location on edges part location on circle part location on text line
geometry	distance circle angle count edges point position
feature comparison	count contour points contour comparison brightness contrast area size count areas pattern comparison
identification	barcode matrix code text

electrical connection M12 / 12-pin (on device)



1: PWR (+18-30 V DC)	7: OUT3
2: Ground	8: IN3
3: IN1 (Trigger)	9: OUT4
4: OUT1	10: IN4
5: IN2	11: IN5
6: OUT2	12: OUT5

Ethernet connection M12 / 4-pin (on device)



1: TD+	7: TD-
2: RD+	8: RD-

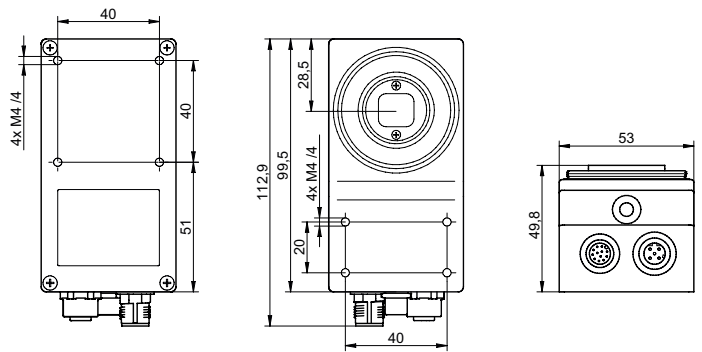
electrical connection illumination M8 / 4-pin (on device)



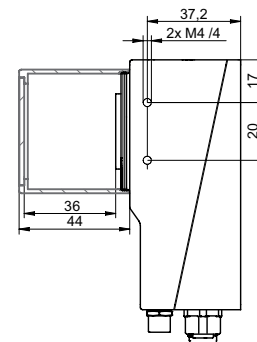
1: +24 V or +48 V Flash	7: Ground
2: +12 V or +24 V Flash	8: Flash Sync

voltage outputs configurable by software

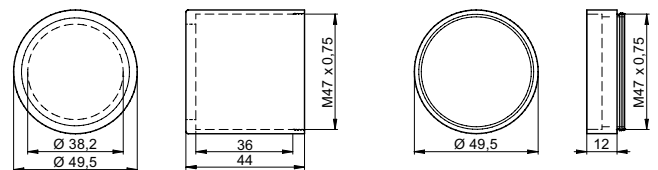
dimension drawing



C-mount support



XC Tube, XC Tube Module



The product characteristics and technical data provided do not express or imply any warranty. Technical modifications and errors reserved.